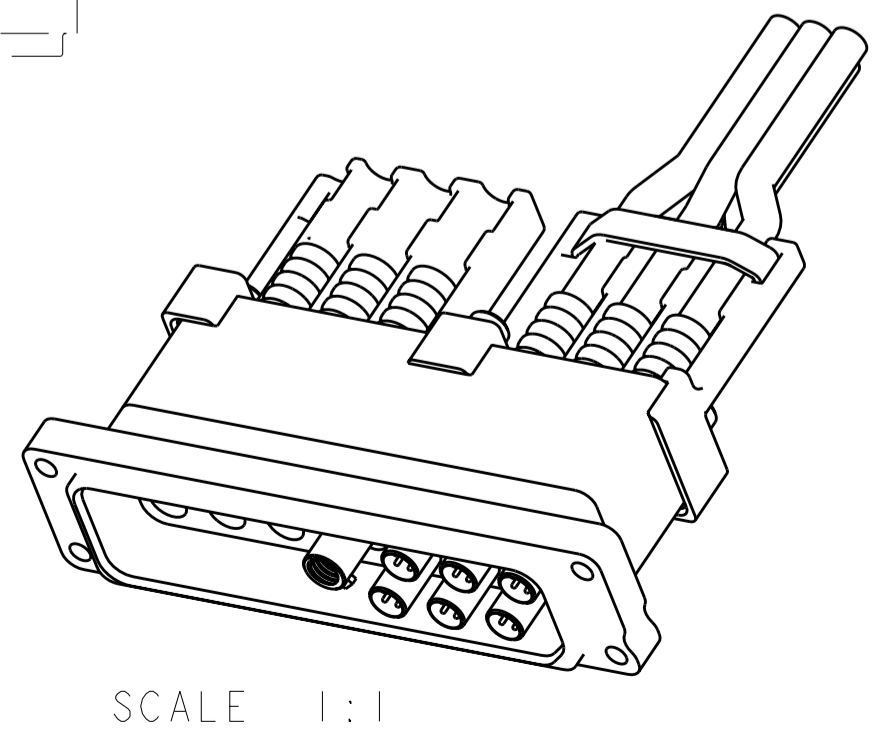
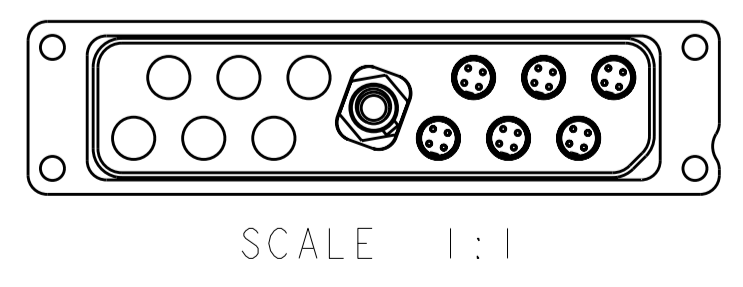
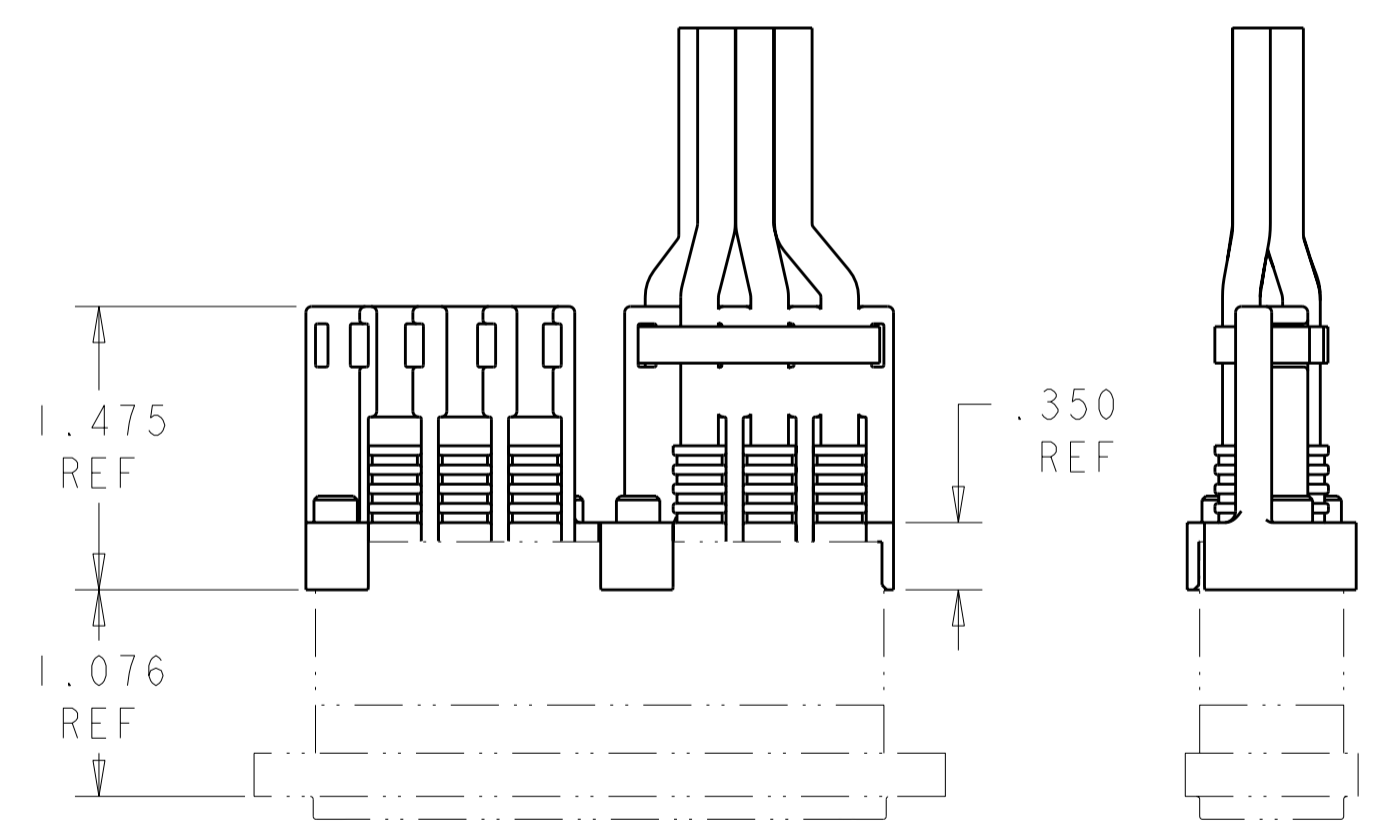
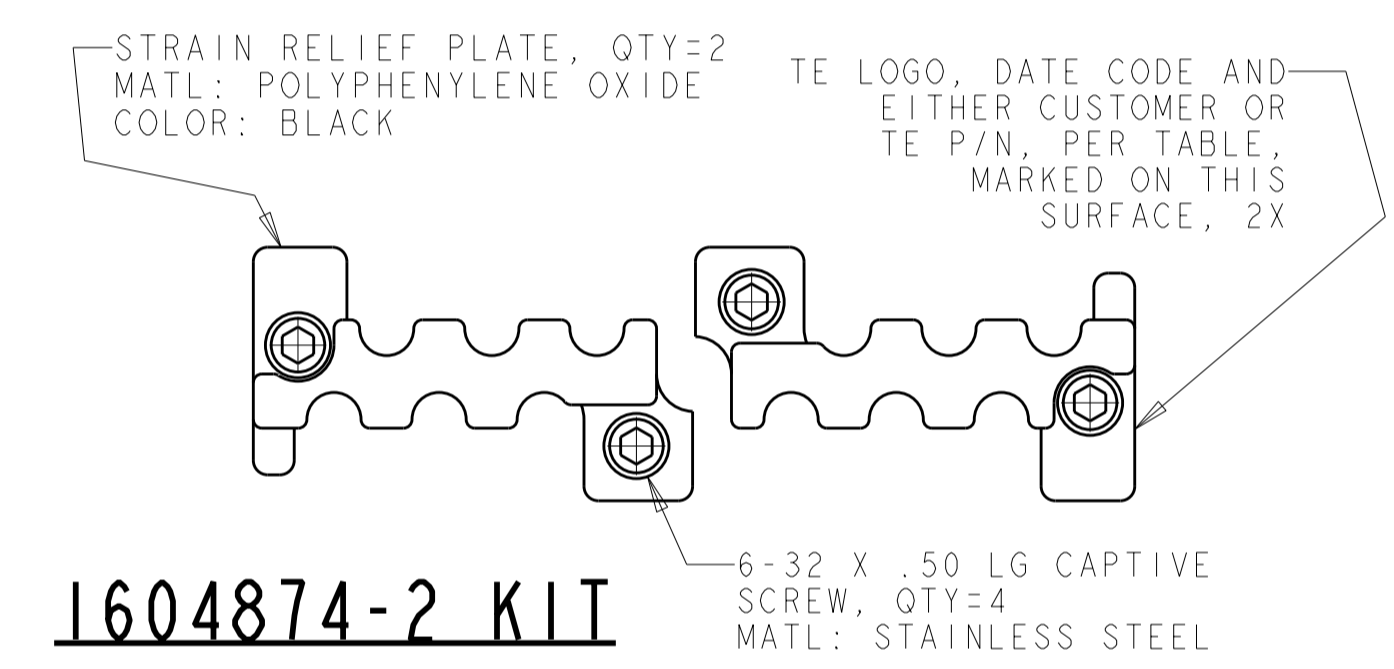
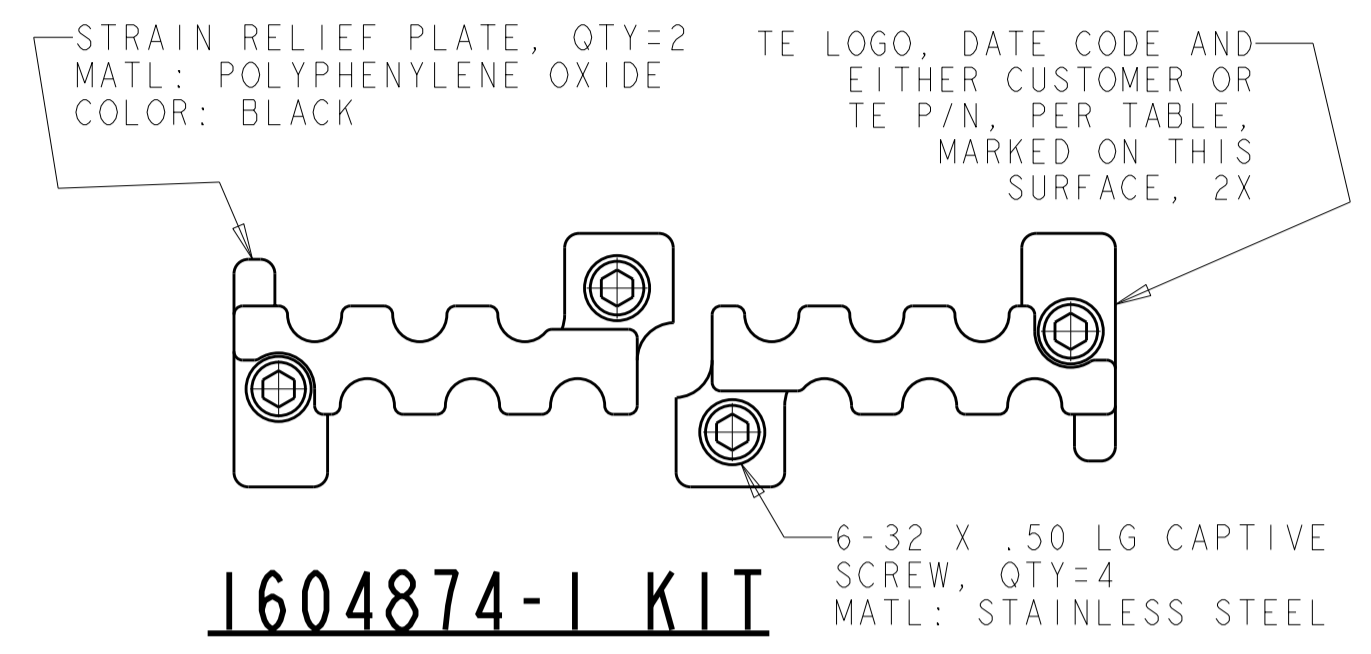
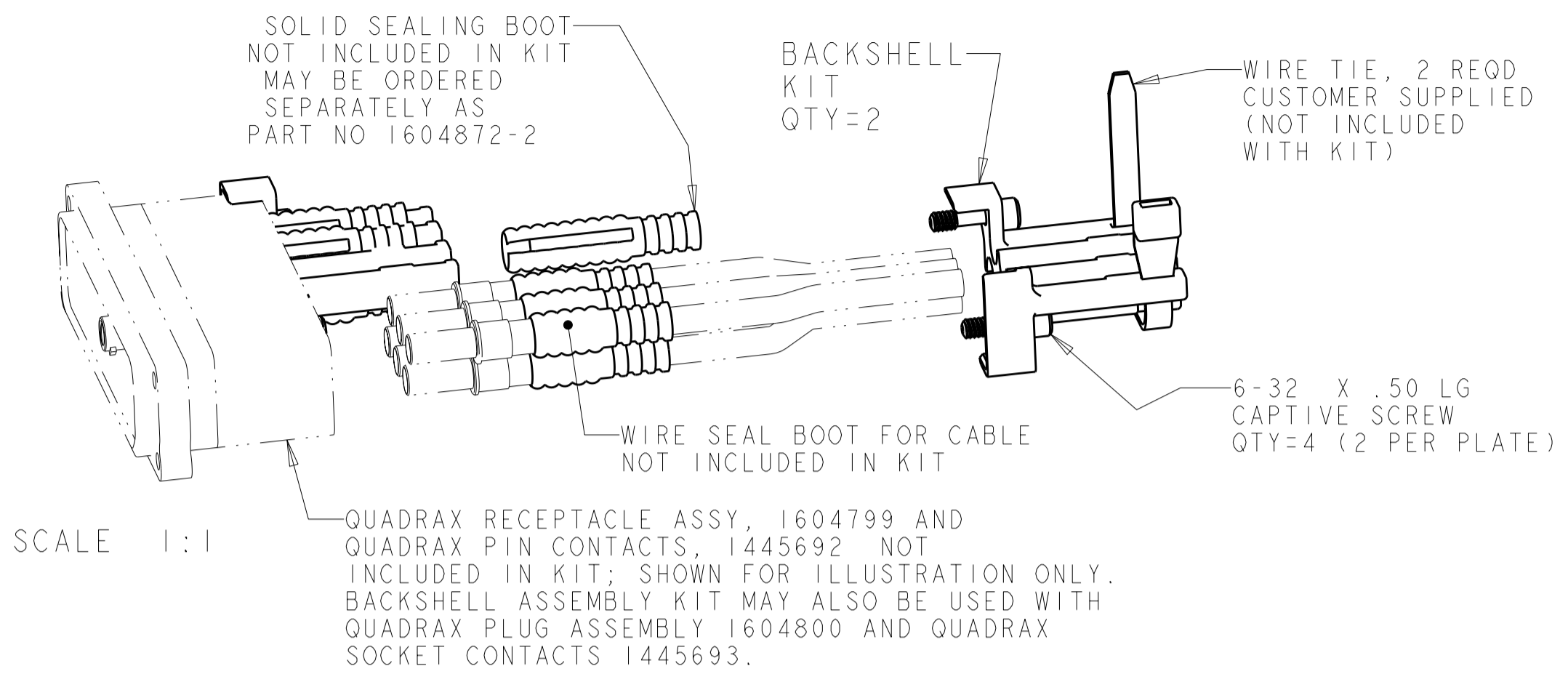


THIS DRAWING IS UNPUBLISHED. RELEASED FOR PUBLICATION 20
 © COPYRIGHT 20 BY TYCO ELECTRONICS CORPORATION. ALL RIGHTS RESERVED.

LOC		DIST		REVISIONS			
P	LTR	DESCRIPTION	DATE	DWN	APVD		
	O	RELEASED PER OH14-0311-05	02MAY05	BW	RW		
	A	REV PER ECO 08-008772	5-12-08	CT	DM		



BACC10MC1	---	PLUG 1604800	1604874-4
BACC10MC2	---	RECEPTACLE 1604799	1604874-3
OBSOLETE	---	PLUG 1604800	1604874-2
OBSOLETE	---	RECEPTACLE 1604799	1604874-1
MARKED BOEING PART NUMBER	MARKED TE PART NUMBER	USED ON	ASSEMBLY PART NO

THIS DRAWING IS A CONTROLLED DOCUMENT FOR TYCO ELECTRONICS CORPORATION IT IS SUBJECT TO CHANGE AND THE CONTROLLING ENGINEERING ORGANIZATION SHOULD BE CONTACTED FOR THE LATEST REVISION.

DWN	02 JUN 2003	Brent D. Yohn	Tyco Electronics Harrisburg, PA 17105-3608	
CHK	02 JUN 2003	W.H. BERNHART		
APVD	02 JUN 2003	W.H. BERNHART		
PRODUCT SPEC				
MATERIAL			NAME	KIT, BACKSHELL, QUADRAX, 12 POSN
DIMENSIONS:	IN	TOLERANCES UNLESS OTHERWISE SPECIFIED:	SIZE	A2
		0 PLC ±.1	CAGE CODE	00779
		1 PLC ±.01	DRAWING NO	1604874
		2 PLC ±.005	RESTRICTED TO	
		3 PLC ±.0020		
		4 PLC ±.0020	SCALE	3:2
		ANGLES ±	SHEET	1 OF 1
		FINISH	REV	A
			CUSTOMER DRAWING	